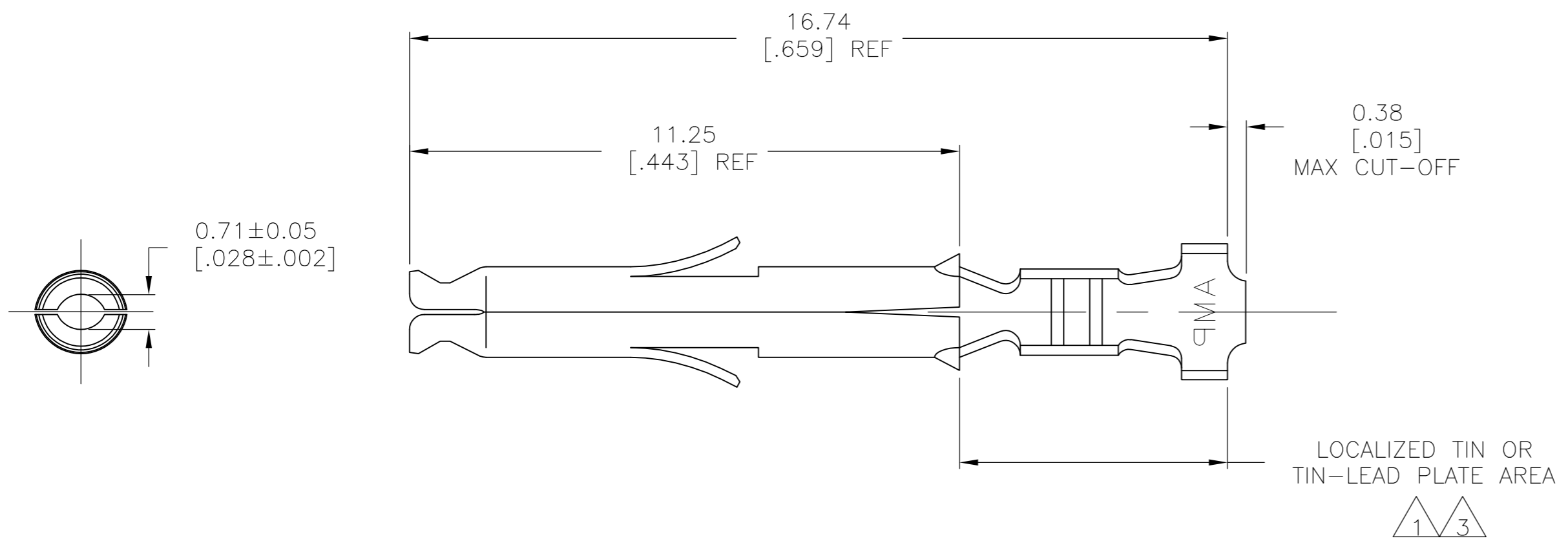
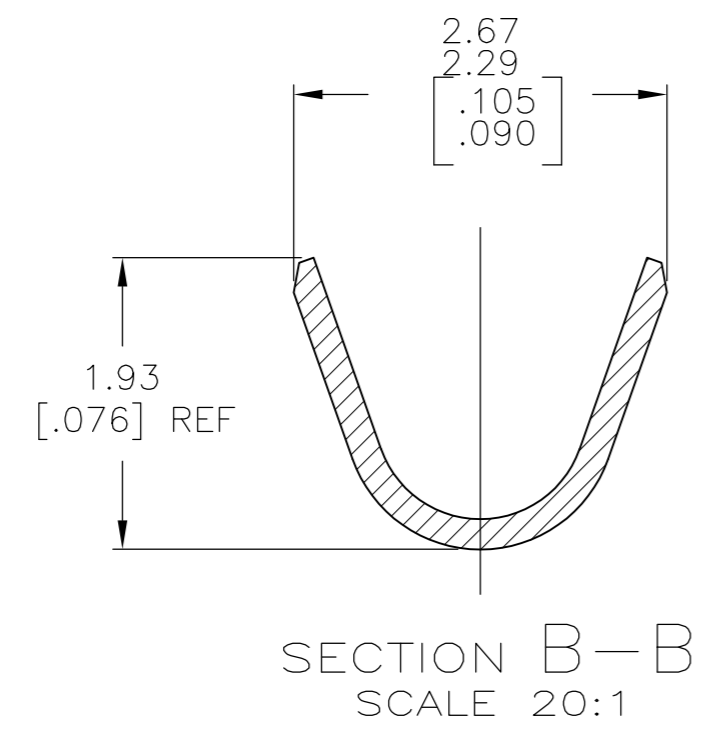
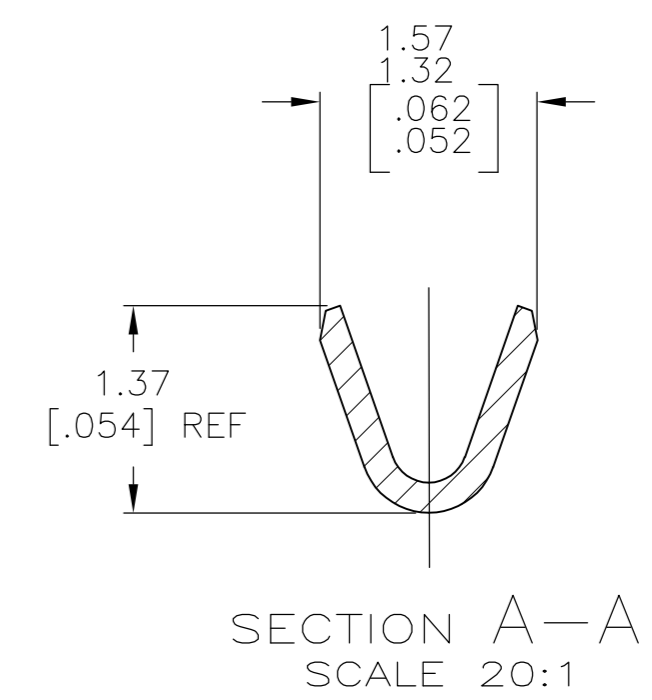
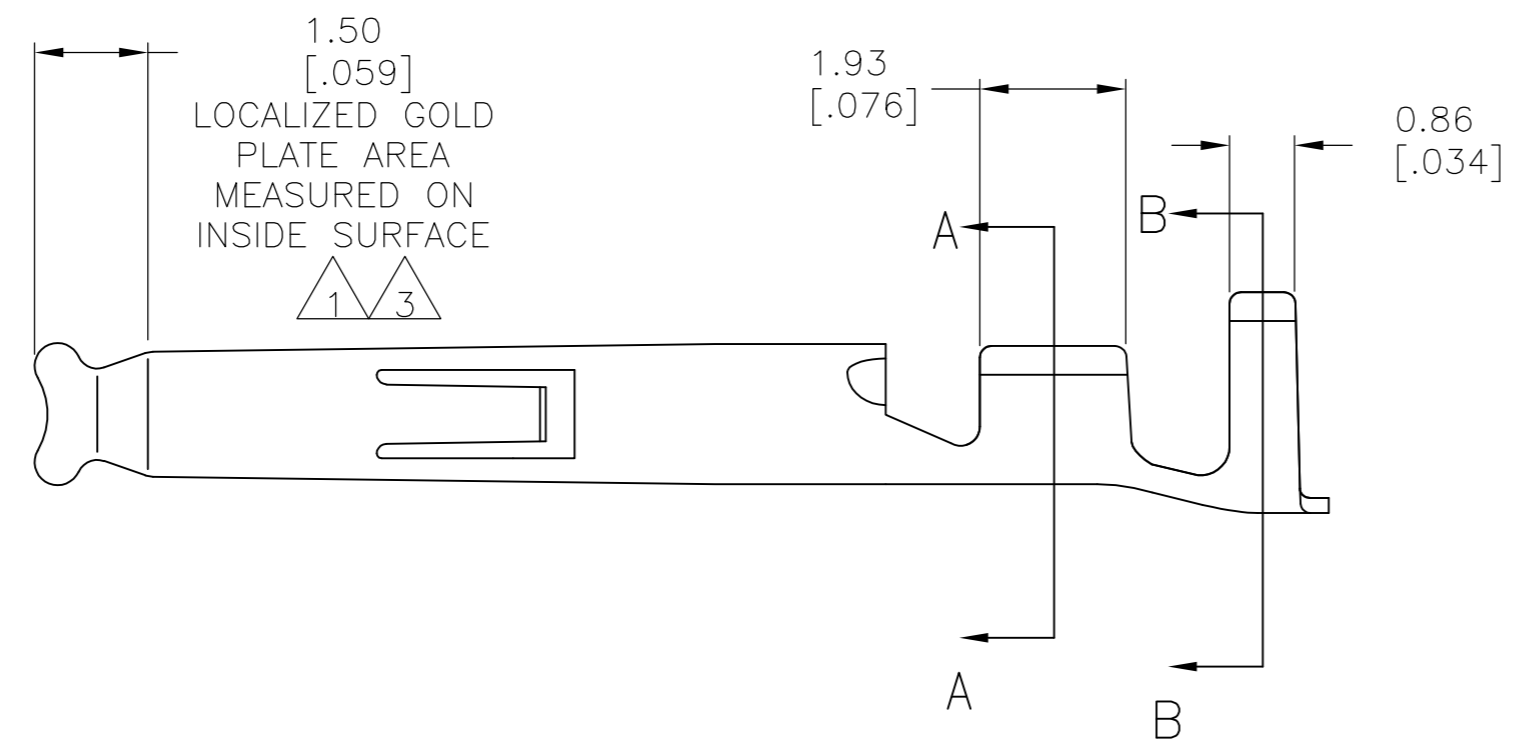


THIS DRAWING IS UNPUBLISHED. RELEASED FOR PUBLICATION  
 © COPYRIGHT BY TYCO ELECTRONICS CORPORATION. ALL INTERNATIONAL RIGHTS RESERVED.

LOC	DIST	REVISIONS			
P	LTR	DESCRIPTION	DATE	DWN	APVD
CM	00	G1	REVISED PER ECO-08-030379	05DEC08	HMR CJ



- 1 0.00076 [.000030] MIN GOLD IN LOCALIZED GOLD PLATE AREA AND 0.00254 [.000100] MIN BRIGHT TIN-LEAD IN LOCALIZED TIN-LEAD PLATE AREA OVER 0.0013 [.000050] MIN NICKEL.
- 2 WIRE RANGE: 0.5-0.15mm<sup>2</sup> (30-26 AWG).
- 3 0.00076 [.000030] MIN GOLD IN LOCALIZED GOLD PLATE AREA AND 0.00254 [.000100] MIN MATTE TIN IN LOCALIZED TIN PLATE AREA OVER 0.0013 [.000050] MIN NICKEL.



3	0.20 [.008] PH BRZ	1-794058-1
3	0.20 [.008] BRASS	1-794058-0
1	0.20 [.008] BRASS	794058-3
PRE-TIN	0.20 [.008] BRASS	794058-1
FINISH	MATERIAL	PART NUMBER

THIS DRAWING IS A CONTROLLED DOCUMENT.		DWN S. HOOVER 18OCT02	Tyco Electronics Corporation Harrisburg, PA 17105-3608	
DIMENSIONS: mm [INCHES]		CHK C. JONES 18OCT02	NAME SOCKET MINI UNIVERSAL MATE-N-LOK(TM)	
TOLERANCES UNLESS OTHERWISE SPECIFIED:		APVD C. JONES 18OCT02	SIZE A2 CAGE CODE 00779 C=794058	
0 PLC ± -	1 PLC ± -	PRODUCT SPEC	RESTRICTED TO	
2 PLC ± -	3 PLC ± 0.15[.006]	APPLICATION SPEC	SCALE 10:1 SHEET 1 OF 1 REV G1	
4 PLC ± -	ANGLES ± 1°	WEIGHT -		
MATERIAL -	FINISH -	CUSTOMER DRAWING		

METRIC